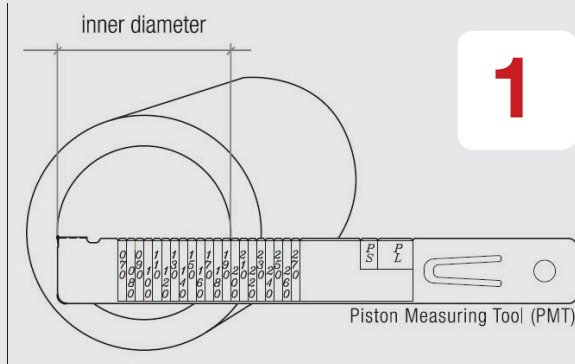
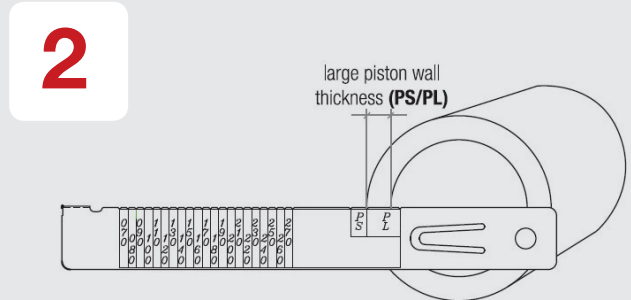


# NU-LOK | PISTON CUSHION Installation



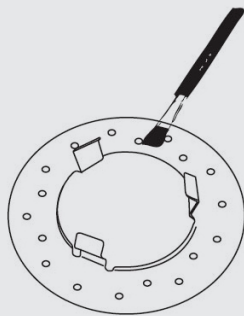
1

**Use the Piston Measurement Tool (PMT) to measure the inner diameter of the piston.**  
Simple and accurate.



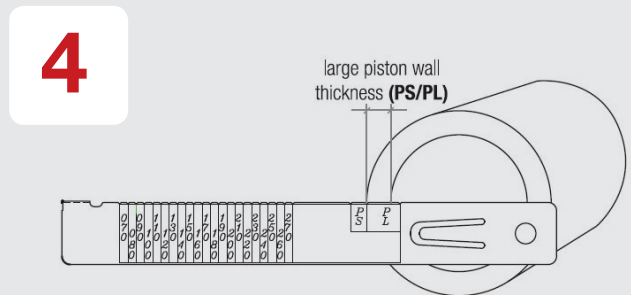
2

**Determine the piston wall thickness and combine it with the piston diameter to find the right Piston Cushion from your Kit.**  
The kit contains all standard sizes, so you'll always have stock, regardless of the vehicle.



3

**Apply NU-LUBE to the inner ring of the Piston Cushion.**  
NU-LUBE allows the Piston Cushion to “float” on the piston, providing a better buffer between vehicle and road vibration. Piston Cushion’s perforated design keeps it lubricated longer.



4

**Determine the piston wall thickness and combine it with the piston diameter to find the right Piston Cushion from your Kit.**  
The kit contains all standard sizes, so you'll always have stock, regardless of the vehicle.



Scan to watch the installation video  
[www.nucapperformance.com/piston-cushion-install.php](http://www.nucapperformance.com/piston-cushion-install.php)

